

## CONSORCIO



## INSTALLATION



1,5 h



2 operator/s

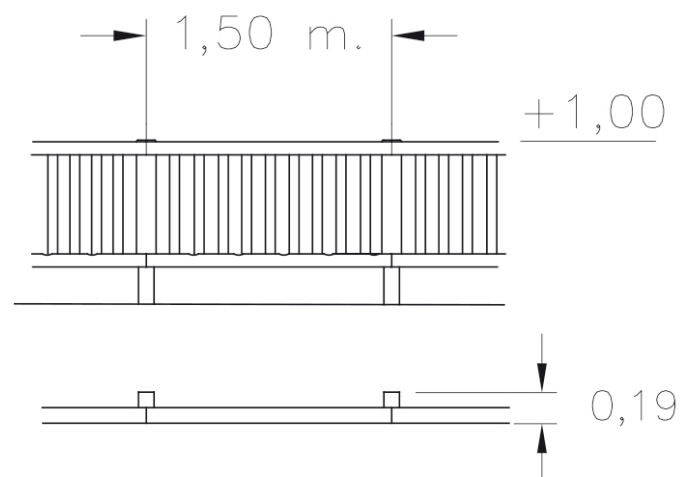


1,50 x 0,19 x 1,00 m



45 kg / 45 kg

## TECHNICAL DATA



JOLAS reserves the right to modify the information contained in this document without prior notice.