

## TERUEL



### INSTALLATION



1,5 h



2 operator/s

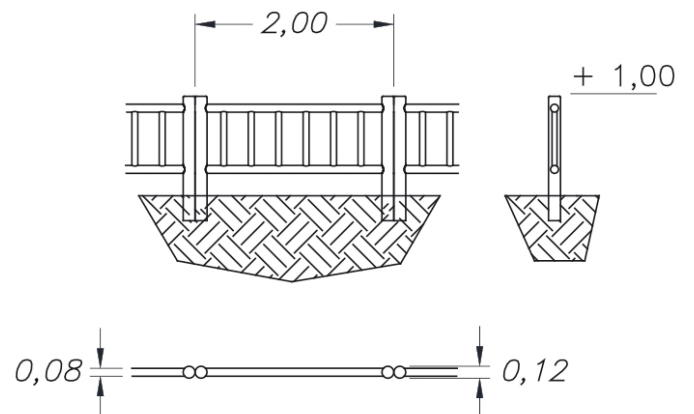


2,00 x 0,12 x 1,00 m



45 kg / 45 kg

### TECHNICAL DATA



JOLAS reserves the right to modify the information contained in this document without prior notice.