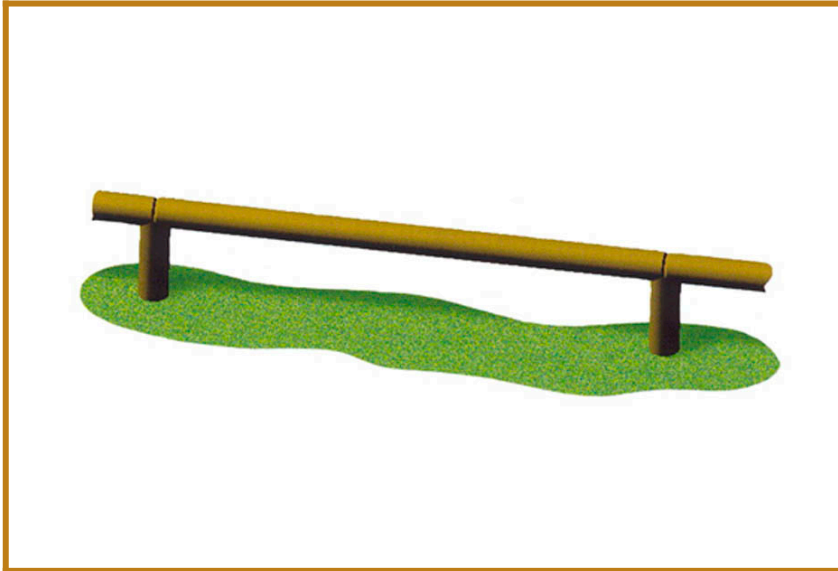


## VARSOVIA



## INSTALLATION



1,5 h



2 operator/s

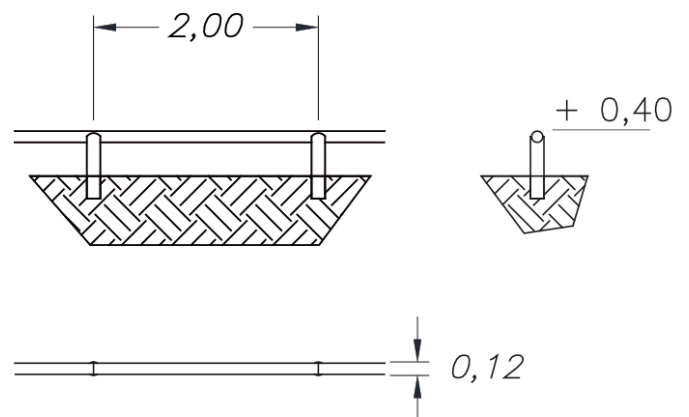


2,00 x 0,12 x 0,40 m



45 kg / 45 kg

## TECHNICAL DATA



JOLAS reserves the right to modify the information contained in this document without prior notice.