

PARIS



INSTALLATION



1,5 h



2 operator/s

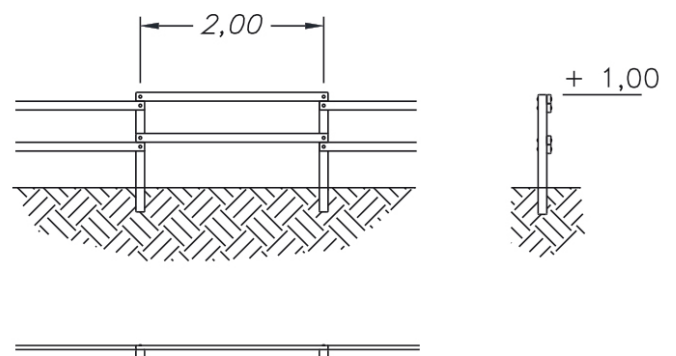


2,00 x 1,00 m



45 kg / 45 kg

TECHNICAL DATA



JOLAS reserves the right to modify the information contained in this document without prior notice.