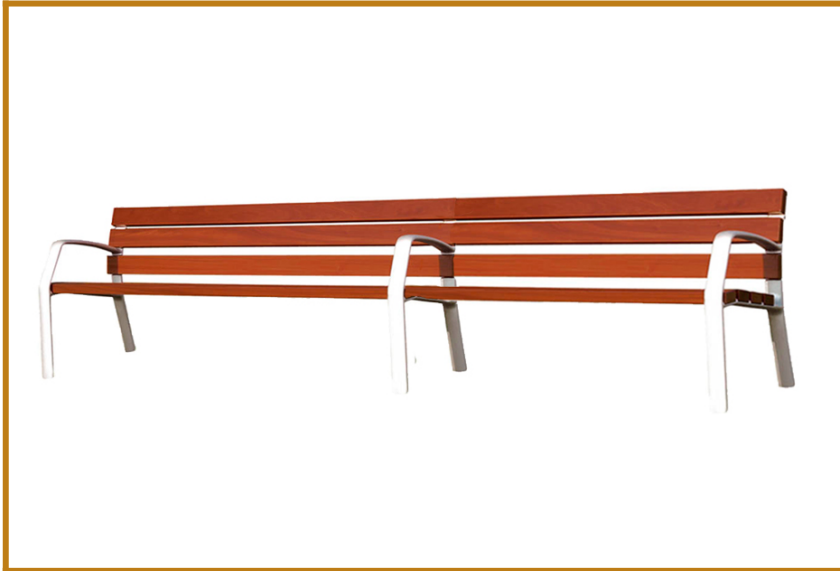


## BADALONA



## INSTALLATION



1,5 h



2 operator/s

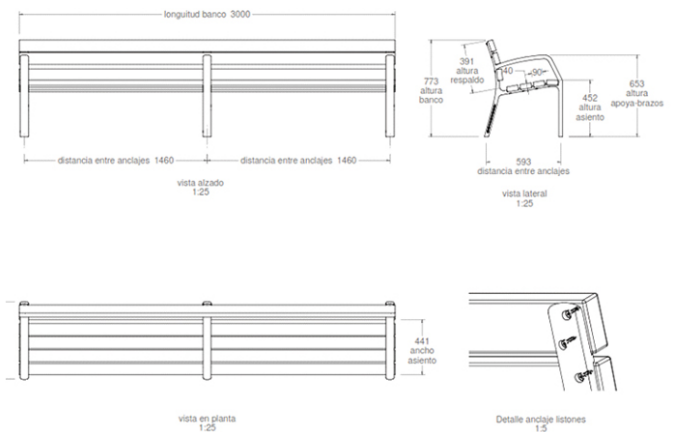


3,00 x 0,624 x 0,773 m



74 kg / 74 kg

## TECHNICAL DATA



JOLAS reserves the right to modify the information contained in this document without prior notice.