

ZARAUZ



INSTALLATION



1,5 h



2 operator/s

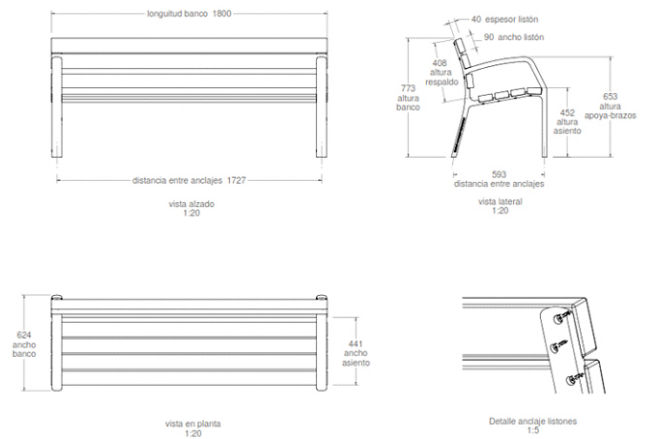


1,80 x 0,624 x 0,773 m



42 kg / 42 kg

TECHNICAL DATA



JOLAS reserves the right to modify the information contained in this document without prior notice.