

LASARTE



INSTALLATION



1,5 h



2 operator/s

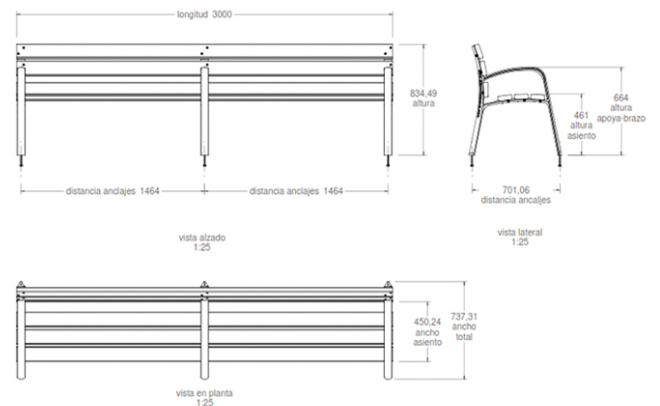


3,00 x 0,737 x 0,835 m



127,28 kg / 127,28 kg

TECHNICAL DATA



JOLAS reserves the right to modify the information contained in this document without prior notice.