

VALENCIA



INSTALLATION



1,5 h



2 operator/s

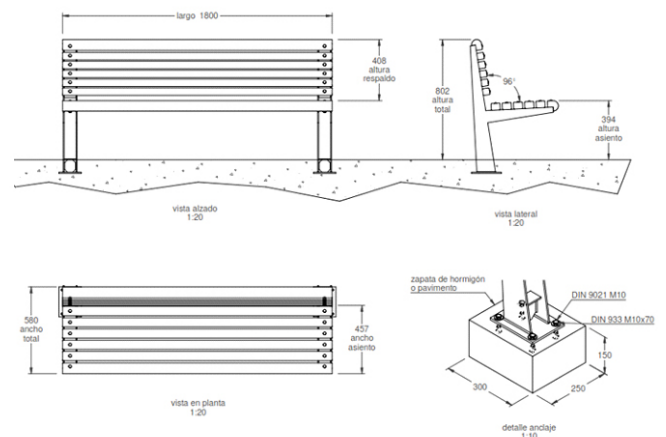


1,80 x 0,58 x 0,82 m



66 kg / 66 kg

TECHNICAL DATA



JOLAS reserves the right to modify the information contained in this document without prior notice.